

Installation
Operation
and
Maintenance
Instructions

Outdoor
24" Refrigerated Drawers
6ORDE



life. luxury. marvel.

An AGA Company

UNPACKING YOUR OUTDOOR REFRIGERATED DRAWERS

Remove Packaging

Your outdoor refrigerated drawers have been packed for shipment with all parts that could be damaged by movement securely fastened. Before using, be sure all packing materials and tape have been removed.

Important

Keep your carton packaging until your refrigerated drawers have been thoroughly inspected and found to be in good condition. If there is damage, the packaging will be needed as proof of damage in transit.

Note to Customer

This merchandise was carefully packed and thoroughly inspected before leaving our plant. Responsibility for its safe delivery was assumed by the retailer upon acceptance of the shipment. Claims for loss or damage sustained in transit must be made on the retailer as follows:

- Exterior and Concealed Damage
Any damage must be reported immediately to your retailer.

DO NOT RETURN DAMAGED MERCHANDISE TO THE MANUFACTURER - FILE THE CLAIM WITH THE RETAILER.

REMINDER

IT IS IMPORTANT THAT YOU SEND IN YOUR WARRANTY RECORD CARD IMMEDIATELY AFTER TAKING DELIVERY OF YOUR REFRIGERATED DRAWERS.

Outdoor 6ORDE Refrigerated Drawer Specifications	
Exterior Cabinet Dimensions HxWxD (in.)	34 x 23 7/8 x 24 1/4
Finished Cut-Out Opening Dimensions HxWxD (in.)	34 1/2 x 24 x 24
Weight	170 lbs.
Capacity	5.8 cubic feet
Temperature	33-47 °F
Power Supply supplied with a 15 amp plug	115V

INSTALLING YOUR OUTDOOR REFRIGERATED DRAWERS

Select Location

The proper location will ensure peak performance of your appliance. Choose a location where the unit will be out of direct sunlight and away from heat sources. Best performance will be maintained when installed within the following parameters:

Unit should be operated in a properly ventilated area with ambient temperatures above 40 degrees and below 100 degrees Fahrenheit.

Cabinet Clearance

Ventilation is required from the bottom front section of the unit. Keep this area open and clear of any obstructions. Adjacent cabinets and countertop can be installed on top, back and sides of the unit as long as the grille and door access remain unobstructed. An opening of 24 inches is required between cabinets and a depth of 24 inches.

Leveling Legs

Adjustable legs at the front corners of the unit should be set so the unit is firmly positioned on the floor and the front is raised just enough so that the door closes easily when opened about halfway.

Turn leveling legs clockwise to raise unit, counterclockwise to lower it.

"Anti-Tip" Device

A cabinet "anti-tip" device is mounted to the back of your refrigerated drawers. If your installation is a built-in under-counter application, you do not need to apply this feature. If your installation is a free-standing application with no countertop directly above the top of the unit, you must apply this feature to prevent the unit from tipping forward when the drawers are pulled out. The "anti-tip" device is attached to the back of the cabinet. Please see installation instructions supplied with the "anti-tip" device.



WARNING

- Do not splash or spray water from a hose on the refrigerator! Doing so may cause an electrical shock, which may result in severe injury or death.
- This unit should not, under any circumstances, be ungrounded.

Grounding Method

This product is factory equipped with a power supply cord that has a three-pronged, grounded plug. It must be plugged into a mating grounding type receptacle in accordance with the National Electrical Code and applicable local codes and ordinances (see Figure 1). If the circuit does not have a grounding type receptacle, it is the responsibility and obligation of the customer to exchange the existing receptacle in accordance with the National Electrical Code and applicable local codes and ordinances. The third ground prong should not, under any circumstances, be cut or removed. All U.L. listed refrigerated products are equipped with this type of plug.

A ground fault circuit interrupter electrical receptacle is to be used to supply electrical power to the refrigerator for outdoor applications. Contact an electrician if you need to install one to supply electrical power to your outdoor refrigerator.

Electrical Connection

Check the serial nameplate for the correct power supply. Use only the electrical power supply specified on the serial nameplate. **DO NOT USE AN EXTENSION CORD.**

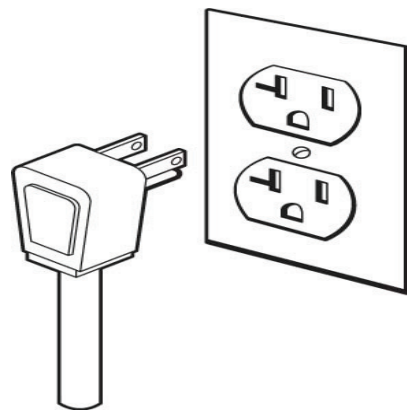


Figure 1

SENTRY SYSTEM™ REFRIGERATION MONITOR

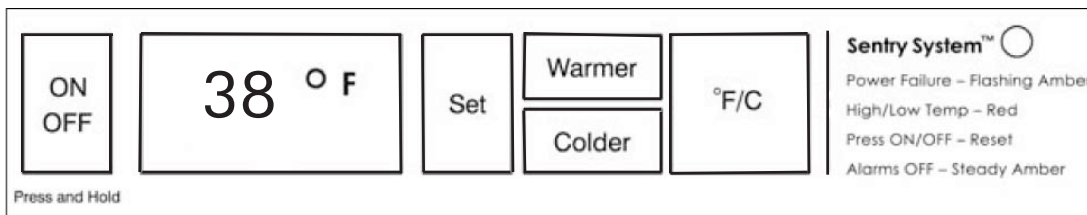


Figure 2

Start Your Appliance

Your appliance will start upon initial plug-in. The LED will flash amber upon initial plug-in due to your unit being powered-on at the factory to verify performance and then powered-off. The Sentry System™ refrigeration monitor senses a power outage has occurred and relays this information to you when you initially power-up your appliance. This is normal and pressing the “ON/OFF” button will reset this alarm function.

If your appliance’s control has been shut-off (i.e., unit plugged in, interior lights operate, display blank), unit must be turned on. To turn on your appliance, push and hold for five (5) seconds, the “ON/OFF” button located on the display panel (see Figure 2).

Once products are loaded, allow at least 48 hours for the unit to stabilize before making any adjustments to the initial setting.

Set Your Temperature Mode

This product can display either Fahrenheit or Celsius. To do so, press the “°F/C” button on the display panel.

Set the Controls

The available temperature range of the unit is from 33 to 47 degrees F. The temperature set point is initially set in the factory at 38 degrees F. The temperature set point can be lowered or raised by first pushing the “SET” button on the display pad. A “SET” icon will be displayed. Pushing either the “WARMER” or “COLDER” buttons located on the display pad will raise or lower the set temperature by one (1) degree F or C (depending on your setting). As with any refrigeration product, there is a slight temperature variance at different locations within the cabinet.

Adjustable Temperature Control

The temperature control is fully adjustable from the low thirties to the high forties. The range allows flexibility of temperature preferences.

Interior Light

The upper and lower interior lights make it easy to view your food and beverages. The light will always come on when either drawer is opened.

Warning Alarms

Your refrigerated drawers have been fitted with a Sentry System™ refrigeration monitor. This monitor will let you know if your drawers are not functioning properly for optimum food and beverage storage.

Door Ajar Alarm

If the door has been left open for over five (5) minutes, the alarm will sound and the LED will flash green. This will stop as soon as the door is closed.

High and Low Temperature

If your unit reaches temperatures outside normal operating temperatures for your set point for more than one (1) hour, an alarm will sound and the LED will flash red. This will warn you that your contents have seen temperatures that may not be conducive for long-term storage.

Power Failure

If your unit experiences a power failure, the LED will flash amber until the alarm is reset.

Reset Alarms

Press the “ON/OFF” button for approximately one (1) second. This will reset all audible and display alarms.

Sabbath Mode

Your refrigerated drawers are equipped with a Sabbath Mode feature. By activating this mode, you will be disabling all displays, audible alarms and lights.

To activate the Sabbath Mode, press and hold the “SET” button while pressing the “°F/C” button four (4) times within seven (7) seconds. To disable Sabbath Mode, repeat the process. Sabbath Mode will automatically deactivate after 72 hours.

FULL OVERLAY PANEL INSTALLATION INSTRUCTIONS

Step 1: Determine Wood Screw Requirements

1. A #8 pan head wood screw should be used to properly secure the overlay panel. A total of 8 screws will be needed.
2. Use only pan head screws.
3. Do not select a screw that is longer than the wood thickness at the screw locations.
4. Use recommended pilot holes for the frame material (see Table A below).

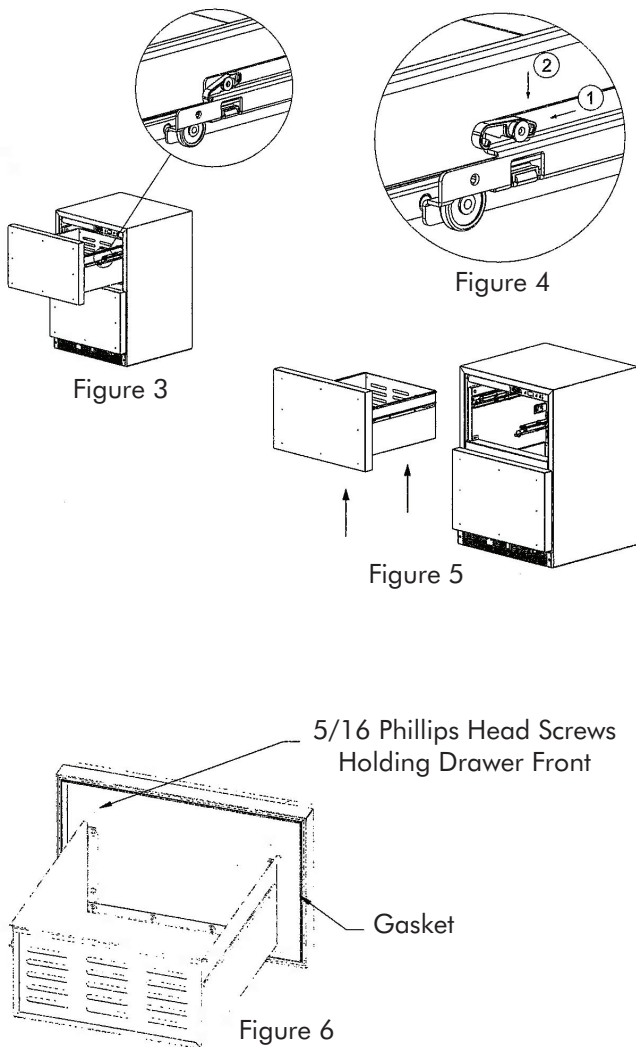
Table A: Pilot Hole Drill Sizes for Wood Screws

Material Type	Wood Screw Size
Work Material	8
Hardwood	3/32
Softwood	5/64

Step 2: Remove Drawer Fronts

(Note: The overlay panel may be installed without removing the drawer fronts from the drawer bodies, but the full drawer assembly is not as easy to handle as the drawer front alone.)

1. Remove drawer from the unit. Begin by pulling out the drawer. Locate the drawer lock which can be found on the outside of the cabinet slide (see Figure 3). Push the back of the drawer lock forward and then down, releasing the drawer from the cabinet slide (see Figure 4). Repeat this on the opposite side of the drawer. Lift the drawer up from the slides at a 90 degree angle to fully extricate the drawer from the cabinet (see Figure 5).
2. Remove drawer fronts. Do this by removing the 8 Phillips screws and washers securing the drawer front to the drawer body (see Figure 6). Mark lightly with an erasable marker the position of the stainless drawer liner as it is secured to the stainless drawer before removing screws.
3. Remove the gasket from the drawer front. Do this by pulling the gasket out of the channel that holds it to the drawer front. This will expose the clearance holes for mounting the overlay panel.



FULL OVERLAY PANEL INSTALLATION INSTRUCTIONS

Step 3: Size the Overlay Panel

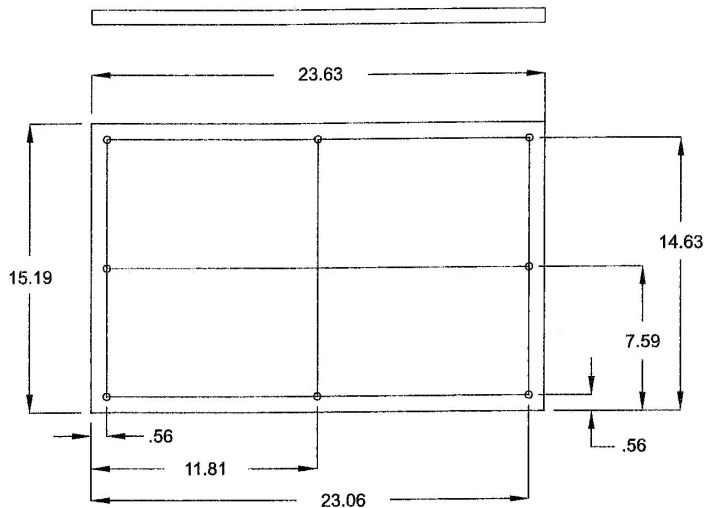


Figure 7

Step 4: Attach the Overlay Panel to the Door

1. Set the overlay panel on drawer front face and align edges. Clamp panel in position and mark pilot hole locations. See Step 3 for nominal size and hole locations. Drill pilot holes. Remove panel if necessary, then realign and reclamp overlay to drawer face.
2. Insert wood screws through clearance holes and tighten to secure overlay panel.
3. Reinstall gasket into channel. Make sure the corners are fully inserted.

Step 5: Reattach Drawer Front to Drawer Body

1. Align mounting holes on drawer body with mounting holes on drawer front. Align the door liner to the front flanges by using the erasable marker alignment lines that were applied prior to removing the door from the drawer in Step 2. Reinstall Phillips head screws and washers. Snug down, but do not tighten fully; final adjustment of drawer front will be done after reinstalling the drawer.

Step 6: Reinstall the Drawers

1. Fully extend drawer slides and place drawer on slides. Be sure that drawer sits evenly on both slides.
2. Lock drawers into drawer slides. Push drawer locks down and then back to relock the drawer into the slide.

Step 7: Adjust Drawer Front

1. Adjust drawer front to achieve a 1/8 inch gap from the top of the drawer front to the top of the cabinet or (for bottom drawers) 1/8 inch from the top of the drawer front to the bottom of the top drawer, the drawer front should be centered between the cabinet edges.
2. Fully tighten Phillips head screws to complete overlay panel installation.

CARE AND CLEANING OF YOUR OUTDOOR REFRIGERATED DRAWERS

Condenser

The condenser tubing inside the cabinet does not require frequent cleaning; however, satisfactory cooling depends on adequate ventilation over the coils. Be sure that nothing obstructs the required air flow openings in front of the cabinet. At least once or twice a year, brush or vacuum lint and dirt from the condenser for efficient performance by unscrewing the grille on the bottom front of the cabinet.

Cabinet

The stainless steel cabinet can be washed with either a stainless steel cleaner or a mild soap and water and thoroughly rinsed with clear water. NEVER use abrasive scouring cleaners.

Interior

Wash interior compartment with mild soap and water. DO NOT use an abrasive cleaner, solvent, polish cleaner or undiluted detergent.

Care of Unit

1. Avoid leaning on the drawer fronts, you may bend the door hinge or tip the unit.
2. Exercise caution when sweeping, vacuuming or mopping near the front of the unit. Damage to the grille can occur.
3. Periodically clean the interior of the unit as needed.
4. Periodically check and/or clean the front grille and condenser coils as needed.

Gastronorm Container System

For additional convenience, optional Gastronorm food storage containers can be purchased from your dealer. These stainless steel containers can be used to easily access smaller food items and are dishwasher safe. For further information, visit Marvel's website at www.marvelindustries.com.

Drawer Organizer

The Drawer Organizer is designed to be fully adjustable to compensate for bottles and other items of different sizes. The Drawer Organizer can be adjusted left and right or up and down by turning the knob counterclockwise.

Help Prevent Tragedies

Each year children die because they climb inside a discarded refrigeration product, get trapped inside and suffocate. Take precautions to prevent such tragedies by removing the door or by taping or chaining it shut before discarding.

TROUBLESHOOTING YOUR OUTDOOR REFRIGERATED DRAWERS

Before Calling for Service

Before calling for service, check the troubleshooting table on this page. This table lists possible problems that you can remedy without difficulty to avoid an unnecessary service call.

PROBLEM	POSSIBLE CAUSES/SOLUTIONS
Odor in cabinet	1. Interior needs cleaning
Noisy operation	1. Cabinet not level
	2. Weak floor
Cabinet vibrates	1. Cabinet not level
	2. Weak floor
Cabinet light not working	1. Tube burned out
	2. No power at outlet
Appliance will not run	1. "ON/OFF" button pressed
	2. Power cord not plugged in
	3. No power at electrical outlet
	4. House fuse blown
Appliance runs too long	1. Prolonged door openings
	2. Control set too cold
	3. Condenser needs cleaning
Moisture collects inside	1. Too many door openings
	2. Prolonged door openings
	3. Hot, humid weather increases condensation
	4. Control improperly set
Moisture collects on outside surface	1. Hot, humid weather increases condensation (as humidity decreases, moisture will disappear)
	2. Control improperly set
Interior too hot/too cold	1. Control improperly set
Sentry System™ refrigeration monitor activated	1. See "Warning Alarms" on page 3
	2. See " Sentry System™ Control Quick Reference"
	3. Temperature alarm may occur after user selected temperature set point changes in excess of 10 degrees F, or during heavy usage conditions. This is normal and not a fault of the appliance. The Sentry System™ is monitoring the duration of large swings in temperature to protect your contents, and may alert you to this event. See "Reset Alarms" on page 4.

OBTAINING SERVICE FOR YOUR OUTDOOR REFRIGERATED DRAWERS

If You Do Need Service

If you do need service, contact your dealer or Marvel Industries. In any correspondence, refer to the model number and serial number of your unit which is located on the upper left hand side of the inside wall liner. Retain your proof of purchase. You may want to record these numbers in the space below.

For Your Records	
Date of Purchase	
Dealer's Name	
Dealer's Address	
Dealer's City	
Dealer's State	
Dealer's Zip	
Appliance Serial Number	
Model Number	
Date Warranty Card Sent (Must be within 10 Days of Purchase)	

How to Obtain Service

Your outdoor refrigerated drawers require little service because the best and most up to date materials, equipment and quality methods are employed throughout the manufacturing process.

If trouble occurs during normal operation, first check the troubleshooting chart on the previous page to see if any of these simple steps may correct the problem. If service becomes necessary:

1. If the product is within the first year warranty period, please call Marvel Customer Service at 800.428.6644 for directions on how to obtain warranty coverage in your area.
2. If the product is outside of the first year warranty period, Marvel Customer Service can provide recommendations of service centers in your area. A listing of authorized service centers is also available at www.lifeluxurymarvel.com under the service and support section.
3. In all correspondence regarding service, be sure to give the model number, serial number, and proof of purchase.
4. Try to have information or description of the nature of the problem, how long the unit has been running, the room temperature, and any additional information that may be helpful in quickly solving the problem.

HOUSEHOLD PRODUCT WARRANTY

Entire Product

Limited One Year Parts and Labor Warranty

Marvel warrants that it will supply all necessary parts and labor to repair or replace in the end user's home or office, any component which proves to be defective in material or workmanship, subject to the condition and exclusions stated below, for a period of one year from the date of purchase by the end user.

Additional Second Through Fifth Year

Limited Parts Only Warranty

During the four years following expiration of the one year limited warranty, Marvel will supply replacement parts for the hermetically sealed refrigeration system which consists of the compressor, condenser, drier, accumulator, bypass valve, connecting tubing and the evaporator that are proven to be defective due to workmanship or materials subject to the conditions and exclusions below.

The above warranties do not cover:

- Shipping costs of replacement parts or returned defective parts.
- Customer education or instructions on how to use the appliance.
- Any content loss due to product failure.
- Removal or installation.

Nor do the above warranties cover failure of this product or its components due to:

- Transportation or subsequent damages.
- Commercial use or use other than normal household or small office.
- Improper installation, misuse, abuse, accident or alteration, use on wiring not conforming to electrical codes, low or high voltages, failure to provide necessary maintenance, or other unreasonable use.

Parts or Service

Not Supplied or Designated by Marvel

The above warranties also do not apply if:

- The original bill of sale, deliver date, or serial number cannot be verified.
- Defective parts are not returned for inspection if so requested by Marvel.
- The refrigeration equipment is not in the possession of the original end use purchaser.

The warranties set forth herein are the only warranties extended by Marvel Industries. Any implied warranties, including the implied warranty of merchantability, are limited to the duration of these express warranties. In no event shall Marvel Industries be liable for any consequential or incidental damages or expenses resulting from breach of these or any other warranties, whether express or implied.

Some states do not allow the exclusion or limitation of consequential damages or a limitation on how long an implied warranty lasts, so the above exclusion or limitation may not apply to you. This warranty gives you specific legal rights and you may have other rights that may vary from state to state.

No person, firm, or corporation is authorized to make any other warranty or assume any other obligation for Marvel Industries. These warranties apply only to products used in any of the fifty states of the United States and the District of Columbia.

To obtain performance of this warranty, report any defects to:

Marvel Industries
P.O. Box 997
Richmond, Indiana 47375-0997
Phone: 800.428.6644



Marvel Industries
P.O. Box 997
Richmond, IN
47375-0997

800.428.6644

An AGA Company

41010649 Rev. C
03.03.08

www.lifeluxurymarvel.com

All specifications and product designs subject to change without notice. Such revisions do not entitle the buyer to corresponding changes, improvements, additions, replacements or compensation for previously purchased products.